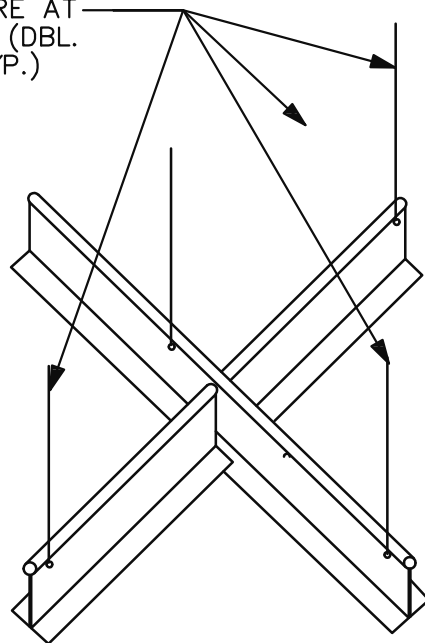
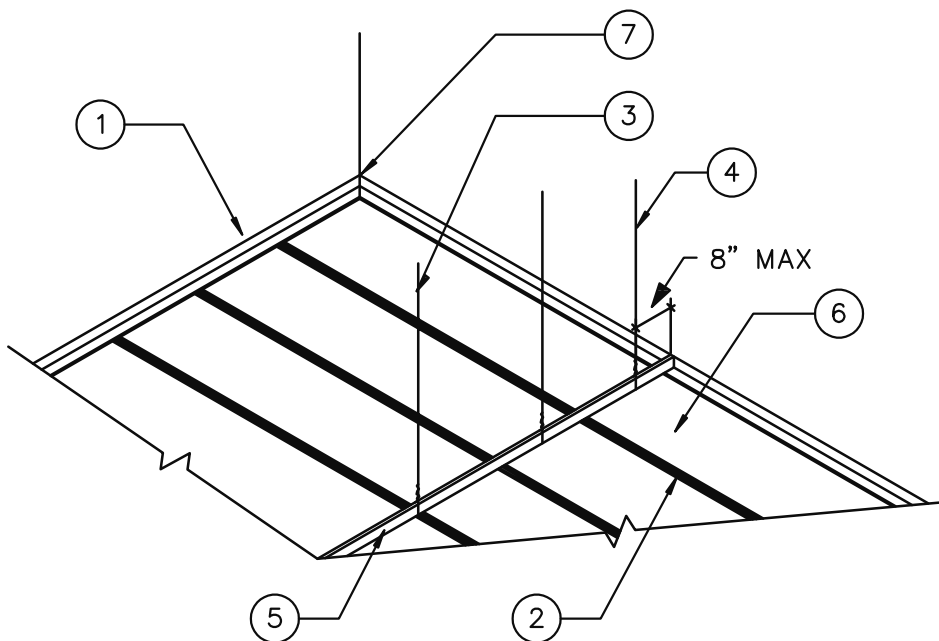


#12 GA. HANGER WIRE AT  
48" O.C. EACH WAY (DBL.  
LOOP EACH END (TYP.)  
VERIFY WITH MFG.  
RECOMMENDATIONS.



KEYNOTES

1. WALL TRIANGLE, CONT.
2. 7/8" HAT CHANNELS @ 16" O.C. MAX
3. 8 GA. HANGERS @ 4'-0" O.C. EACH WAY (TYP)
4. 8 GA HANGERS @ 4'-0" PERIMETER, SUPPORTING MAIN RUNNERS AND CROSS RUNNERS, 8" FROM WALL (TYP)
5. SUSPENDED C.R. CHANNELS @ 4'-0" O.C.
6. 5/8" GYP. BOARD
7. 8 GA HANGERS AT CORNERS AT 48" O.C. MINIMUM.



TYP. SUSPENDED GYP. BOARD CEILING

REV. NO. 001	DWG. NO.
REV. DATE : 08-27-20	AC-12
DRAWN BY : NBS	SCALE : NTS